

INSTRUCTIONS

Applications shall be made to the city or village council or commission of the township board. A permit shall be issued only as the result of legal action by the council, commission or board. A permit shall be valid only for use within the limits of the issuing political jurisdiction.

1. The applicant may be a person representing an organization, group, firm or corporation or self. If the applicant is also the operator, enter the same name in Operators Section.
2. A nonresident applicant shall appoint a Michigan attorney or resident agent in writing to be the applicant's legal representative upon whom all process in any action or proceeding may be sent.
3. The pyrotechnic operator is the person in charge of the display. The council, commission or board shall rule on the competency and qualifications of the operator before granting a permit and may require an affidavit from the applicant as to the operators experience, former pyrotechnic accidents, criminal record, sobriety, etc.
4. Indicate the total amount of fireworks proposed *for* the display such as 10 aerial bombs, 30 aerial rocket bursts, etc.
5. Indicate the manner and place of storage within the political jurisdiction of fireworks that are ready for display, just prior to the display in the area of exhibition. The council, commission or board shall obtain approval from the local fire authorities of the manner and place of storage before any permit is issued.
6. The issuing political jurisdiction shall set the amount of and proof of bond or insurance for the protection of the public to satisfy claims for damages to property or personal injuries arising out of any act or omission on the part of the person, firm or corporation *or* any agent *or* employee of applicant. The applicant shall assure that the bond or Insurance required is provided.
7. The applicant shall provide the political jurisdiction with a completed application, certificate of insurance, hold harmless agreement, and full payment in order to be approved

Requirements for Fireworks Permit Application

1. Complete the Application for Fireworks Display Permit (FM-51) and return it to the Township Clerk's Office. Please review the application package provided, and be sure to adhere to the National Fire Prevention Association, Ref. NFPA 1123 and 2003 International Fire Code. The Police and Fire Department Chiefs will review the application for their approvals before your application is presented to the Township Board for final approval.

Note: Approvals will not be given unless ALL information is provided on the application form.

2. Provide: Certificate of insurance for general liability insurance in the following amounts, naming West Bloomfield Township, all elected and appointed officials, all employees and volunteers, all boards, commission, authorities and board members, including employees and volunteers thereof as additional insured with regard to your fireworks display:

| | |
|---------------------------------|-------------------------------|
| Bodily Injury & Property Damage | \$5,000,000.00 per occurrence |
| Automotive Liability Coverage | \$1,000,000.00 per occurrence |

3. **Fee: \$1,200.00** when filing your application with this office.

(Please make check payable to West Bloomfield Township.)

4. Please mail or personally submit the application, check and certificate of insurance to the following address:

Debbie Binder, Township Clerk 4550
Walnut Lake Road
P.O. Box 250130
West Bloomfield, MI 48325-0130

If you have any questions regarding the application or regulations, please contact the Clerk's Office at (248) 451-4848.

**Charter Township of West Bloomfield
Indemnification and Hold Harmless Agreement
Display Fireworks Permit No. _____**

_____, the Pyrotechnician/Permittee for the Display Fireworks Event to be held in the Charter Township of West Bloomfield as listed below, hereby agrees to indemnify and hold the Charter Township of West Bloomfield, all elected and appointed officials, all employees and volunteers, and all boards, commissions, and board members, harmless from any and all liability whatsoever in law or equity arising out of the manufacture, transportation, possession, storage, installation, firing, fallout, detonation, combustion, deflagration, or disassembly of any pyrotechnic equipment or device and/or the supervision, performance, conduct, display and presentation of the display fireworks on the Property identified in the Display Fireworks Permit No. _____.

Display Fireworks Event to be held as follows:

Event Name: _____
Location: _____
Date and Time: _____
Rain Date: _____

PYROTECHNICIAN/PERMITTEE

Name of Company: _____

By: _____
Authorized Representative

Print Name: _____

STATE OF MICHIGAN)
) SS.
COUNTY OF _____)

The foregoing instrument was acknowledged before me on _____, 20__ by _____, the Authorized Representative of _____.

Notary Public
_____ County, MI
Acting in _____ County
My commission expires:

National Fire Prevention Association

Fireworks Diagram Requirements

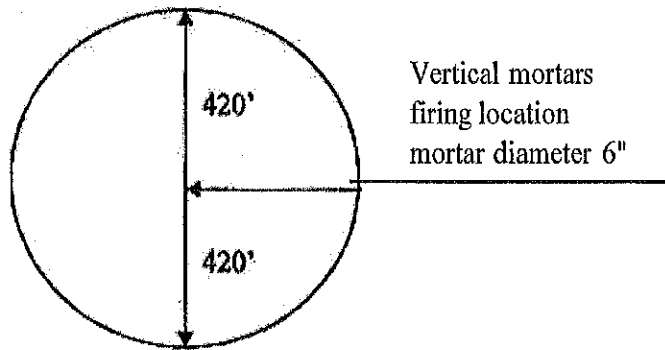
1. Scale drawing required of display site.
 - a. length and width of display site
 - b. location of display area in the display site
 - c. diameter of the display area

Ref. NFPA 1123

2. Minimum separation distance between mortars and spectators should be 70 feet for each inch of internal mortar diameter.

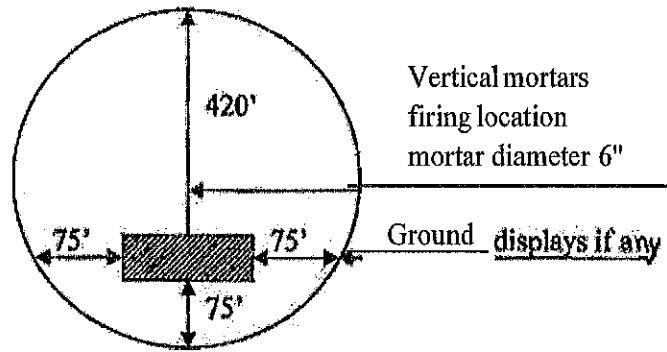
Example: 70 ft./inch multiplied by 5" = 350 ft., the secured diameter is to be 700 feet.

| | | | |
|-----|-----------|-----------------------|----------|
| 5" | 70' x 5" | =350ft., diameter | 700ft. |
| 6" | 70' x 6" | =420ft., diameter | 840ft. |
| 8" | 70' x 8" | :::; 560ft., diameter | 1,120ft. |
| 12" | 70' x 12" | =840ft., diameter | 1,680ft. |



3. The site for the display shall be figured by the largest aerial shell to be fired. If the largest shell is 12" the spectators should be 840ft. away, and the secured diameter of the firing site should be 1,680 ft.

4. Ground display pieces shall be located a minimum distance of 75 ft. from spectator viewing and parking areas.



5. *Exception:* Foreground pieces with greater hazard potential (such as large wheels with powerful drivers, Roman candle batteries and items employing large salutes). The minimum separation distance shall be increased to 125 ft.
6. Spectators, dwelling, building, vehicles, readily combustible materials and over head wires shall not be located within the fallout area during the display.
7. If display is approved, Fire Dept. apparatus and personnel may be required to be at display site perimeter when fireworks are discharged.



ATF News

Bureau of Alcohol, Tobacco, Firearms and Explosives
Office of Public Affairs, Washington, D.C.

FY-03-07

Contact: Gary M. Comerford
202-927-8500

For Immediate Release

www.atf.gov

April 3, 2003

PROFESSIONAL FIREWORK DISPLAYS AND SHOWS TO REQUIRE PERMITS FROM ATF

Requirements Are Part of the Safe Explosives Act

WASHINGTON – Civic groups, organizations and other private parties planning to acquire Class 1.3 display fireworks for their July 4 celebrations will require a permit under provisions of the new Safe Explosives Act, the Bureau of Alcohol, Tobacco, Firearms and Explosives (ATF) said today.

The requirement takes effect May 24, 2003, but since ATF has 90 days under the law to approve applications, people and organizations requiring a permit should apply as early as possible. Class 1.3 display fireworks are those used in professional fireworks shows and displays. Before the Safe Explosives Act, ATF did not require a permit to acquire and use Class 1.3 fireworks within the same state.

The U.S. Department of Transportation (DOT) established the classification of hazardous materials, which includes Class 1 explosives, for transportation purposes. The 1.3 display fireworks are part of the Class 1 category.

The public should know that consumer fireworks, such as firecrackers, sparklers, bottle rockets and similar small fireworks, are not subject to the provisions of the Safe Explosives Act and remain exempt from ATF requirements. Consumer fireworks, rated as Class 1.4 by DOT and previously known as Class C fireworks, still may be subject to Federal, state and local laws and regulations.

Cities, towns or other political subdivisions are exempt from the ATF permit requirements. However, all persons, including cities, towns and other political subdivisions, must store Class 1.3 display fireworks in accordance with the requirements contained in Subpart K-Storage, Part 555.201-217, in ATF Federal Explosives Regulations. The regulations are titled Commerce in Explosives, ATF Explosive Regulations, 27 CFR Part 555 (previously known as Part 55).

The ATF Federal Explosives Law and Regulations are contained in ATF P 5400.7, which is located on the ATF Web Site at www.atf.gov.

In order to obtain a Federal explosives license/permit (FEL), contact the National Explosives Licensing Center (NELC) at (404) 417-2750. You may also contact the NELC via e-mail at NLClicenseapplication@atf.gov. The e-mail should contain "Request for Application Package" in the subject line.

The NELC will provide all applicable forms and instructions necessary to persons and organizations desiring a permit. The responsible persons on an application must furnish a photograph and a fingerprint card completed by a Federal, state or local law enforcement agency as part of their application. ATF has 90 days under the Safe Explosives Act to process an application.

A one-time use interstate permit costs \$75. A limited permit, which allows six purchases a year within the same state, costs \$25, and a full, three-year interstate permit is \$100.

Any other questions regarding the acquisition of Class 1.3 display fireworks should be referred to ATF's Public Safety Branch at (202) 927-2310.

Instructions for Application for Fireworks Other Than Consumer or Low Impact

Applications shall be submitted to the legislative body of a city, village or township board. A permit may be issued as a result of official action by the legislative body. A permit shall be valid only for use within the limits of the jurisdiction of the legislative body of a city, village or township board.

1. Type of Permit – check all boxes that may apply to the type of permit needed. You may select several permit types depending on your fireworks display. You may check with your legislative body of a city, village or township board for assistance when making your selection. Please review the following definitions to determine which type of permit to select:
 - Agricultural or Wildlife Fireworks – devices distributed to farmers, ranchers, and growers through a wildlife management program administered by the US Department of Interior or Michigan DNR.
 - Articles Pyrotechnic – 1.4G fireworks for professional use only that is classified as UN0431 or UN0432.
 - Display Fireworks – 1.3G fireworks for professional use only
 - Special Effects Manufactured for Outdoor Pest Control or Agricultural Purposes – devices with a combination of chemical elements or compounds capable of burning independently of the oxygen of the atmosphere and designed and intended to produce an audible, visual, mechanical or thermal effect for pest or animal control.
 - Public Display – a fireworks display that is open to all persons for viewing.
 - Private Display – a fireworks display that is not open to the general public for viewing.
2. Name of applicant – list the name of the applicant. The applicant may be a person representing an organization, group, firm or corporation, or self. If the applicant is also the operator, enter the same name in the operator's section.
3. Address of applicant – complete the address of the applicant; include the street address, city, state and zip code.
4. Name of person or resident agent representing corporation, LLC, DBA or other – list the name of the person or resident agent that represents the corporation, LLC, DBA or other.
5. Address of person or resident agent that represents the corporation, LLC, DBA or other – list the address of the person or resident agent representing the corporation, LLC, DBA or other.
6. Non-resident applicant – list the name of the non-resident applicant. A non-resident applicant shall appoint a Michigan attorney or Michigan resident agent in writing to be the applicant's legal representative upon whom all service of process in any action or proceeding may be served.
7. Name of pyrotechnic operator – list the name of the pyrotechnic operator. The pyrotechnic operator is the person in charge of the display. The legislative body of a city, village or township board shall rule on the competency and qualifications of the operator before granting a permit and may require an affidavit from the applicant as to the operator's experience, former pyrotechnic accidents, criminal record, sobriety, etc.
8. Address of pyrotechnic operator – list the address of the pyrotechnic operator; include the street address, city, state and zip code.
9. Age of the pyrotechnic operator – list the age of the pyrotechnic operator; the operator must be 18 years of age or older.
10. Name of assistant – list the name of the assistant to the pyrotechnic operator;
11. Address of assistant – list the address of the assistant; include the street address, city, state and zip code. If there is more than one assistant, please list additional assistants on a separate sheet and include the address and age of those additional assistants.
12. Age of assistant – list the age of the assistant to the pyrotechnic operator; the assistant must be 18 years or older.
13. Name of other assistant – list the name of other assistant to the pyrotechnic operator.
14. Age of other assistant – list the age of the assistant to the pyrotechnic operator; the assistant must be 18 years or older.
15. Exact location of proposed display – list the address of the exact location of the proposed fireworks display.
16. Date of proposed display – indicate the date of the proposed fireworks display; only one display date can be used per application.
17. Time of proposed display – indicate the time of the proposed fireworks display.
18. Manner and place of storage - indicate the manner and place of storage within the legislative body of a city, village or township board of fireworks that are ready for display, just prior to the display in the area of exhibition. The legislative body of a city, village or township board shall obtain approval from the local fire authorities of the manner and place of storage before any permit is issued.

19. Amount of bond or insurance - the issuing legislative body of a city, village or township board shall set the amount of and proof of bond or insurance for the protection of the public to satisfy claims for damages to property or personal injuries arising out of any act or omission on the part of the person, firm or corporation, or any agent or employee of the applicant. The applicant shall assure the bond or insurance required is provided.
20. Name of bonding corporation or insurance company – provide the name of the bonding corporation or insurance company for which the bond was issued through.
21. Address of bonding corporation or insurance company – list the address of the bonding corporation or insurance company; include the street address, city, state and zip code.
22. Number of fireworks and kind of fireworks to be displayed– indicate the total amount of fireworks proposed for the display or use and a description of the type of fireworks for display; such as 10 aerial bombs, 30 aerial rocket bursts, etc.
23. The application is valid for the calendar year in which the application was received and permit was issued.
24. Permit fees shall be established by the legislative body of a city, village or township board and shall be submitted to and retained by legislative body of a city, village or township board.
25. Permitting will be in compliance with the [Michigan Fireworks Safety Act, PA 256 of 2011](#), [MCL 28.466, Section 16](#).
26. **Mail the application to the legislative body of a city, village or township board within the location jurisdiction of the display.** DO NOT mail the application to the Bureau of Fire Services (BFS). If mailed to the BFS, it will be returned to the sender.