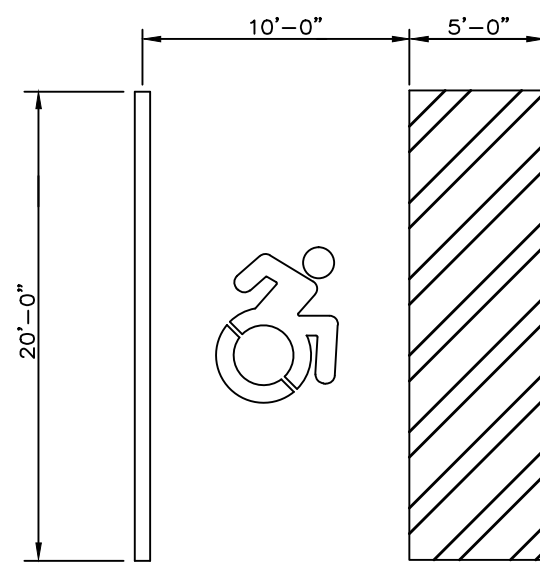


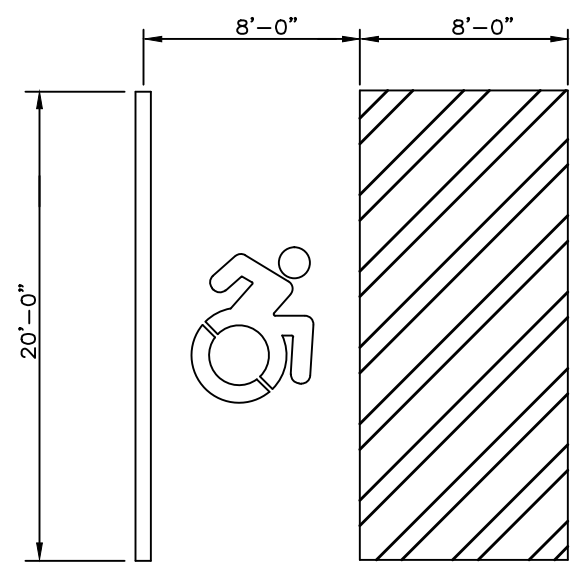
**TYPICAL PARKING SPACE**  
NOT TO SCALE

- NOTES:
1. ALL PAINTED AISLE LINES SHALL BE 4" WIDE COLOR-WHITE.
  2. ELIMINATE PAINTED LINES ADJACENT TO CURBING.



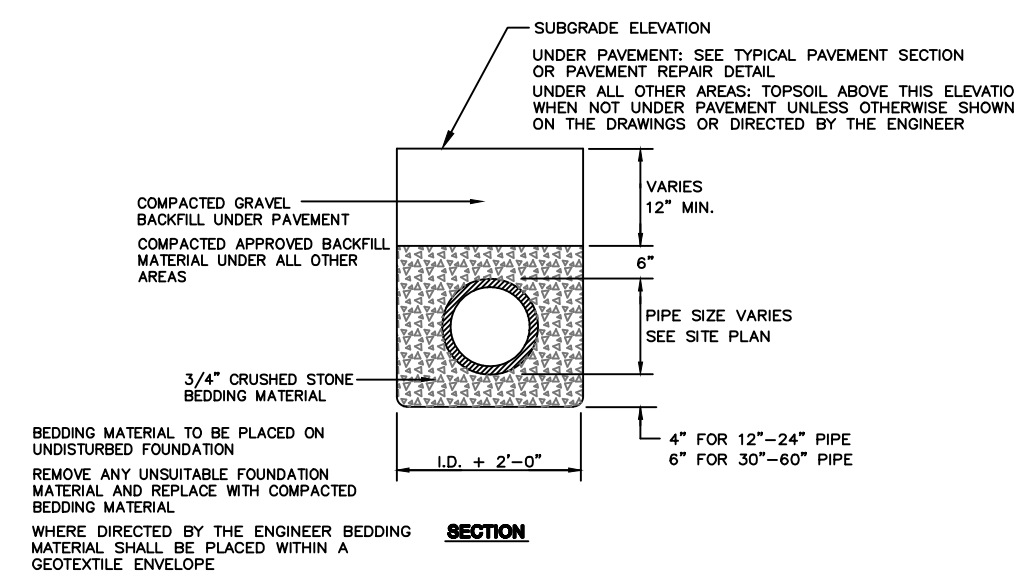
**STANDARD ACCESSIBLE PARKING SPACE**  
NOT TO SCALE

- NOTES:
1. ALL PAINTED AISLE LINES SHALL BE 4" WIDE COLOR-WHITE.
  2. ALL PAINTED CROSS HATCHED AISLE MARKINGS AND ACCESSIBLE SYMBOL MARKINGS SHALL BE COLOR-WHITE.

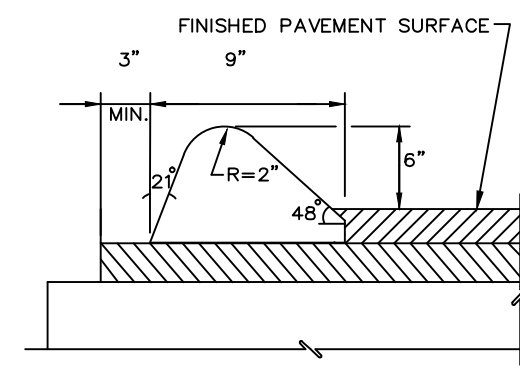


**VAN ACCESSIBLE PARKING SPACE**  
NOT TO SCALE

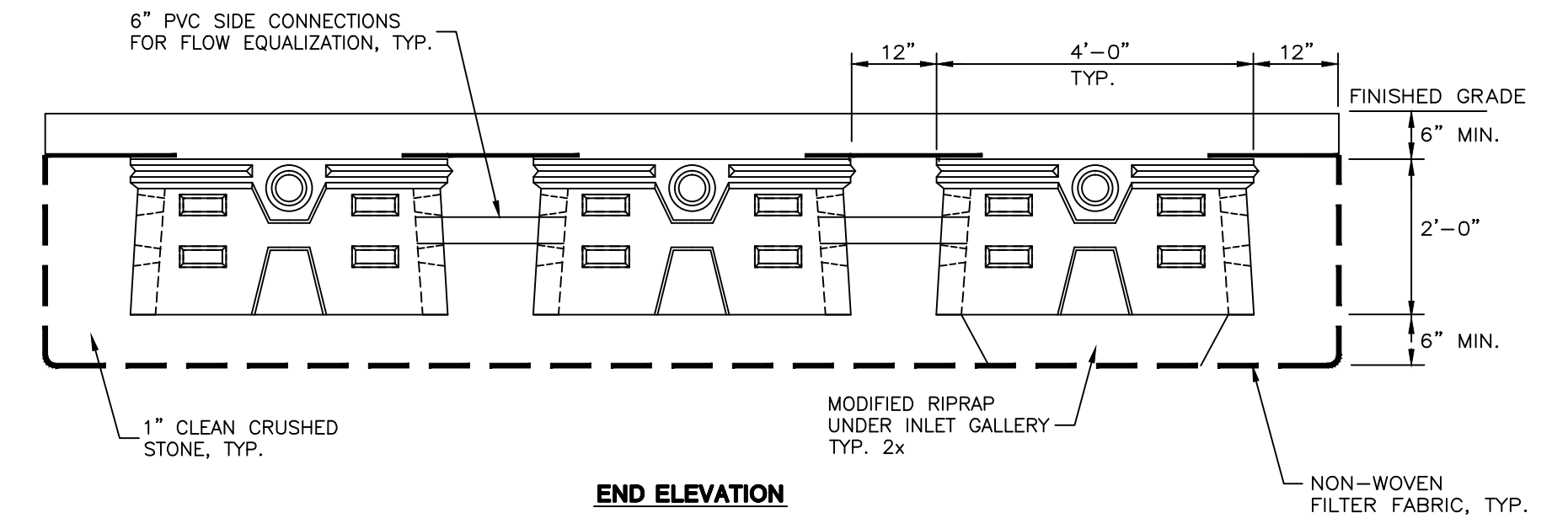
- NOTES:
1. ALL PAINTED AISLE LINES SHALL BE 4" WIDE COLOR-WHITE.
  2. ALL PAINTED CROSS HATCHED AISLE MARKINGS AND ACCESSIBLE SYMBOL MARKINGS SHALL BE COLOR-WHITE.



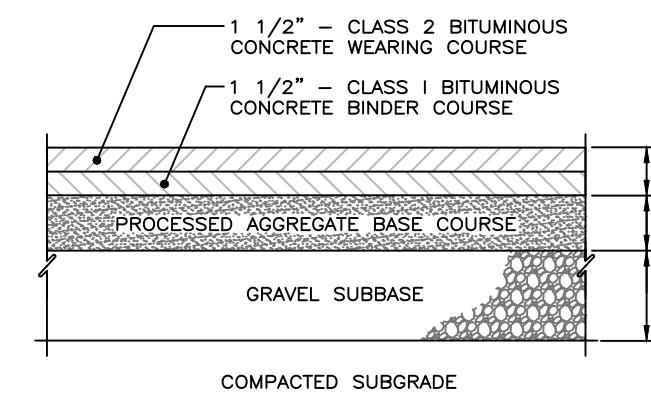
**HDPE DRAINAGE PIPE TRENCH**  
NOT TO SCALE



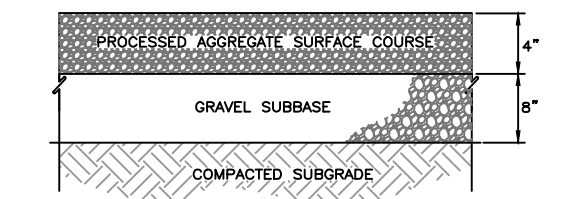
**BITUMINOUS CONCRETE LIP CURBING**  
NOT TO SCALE



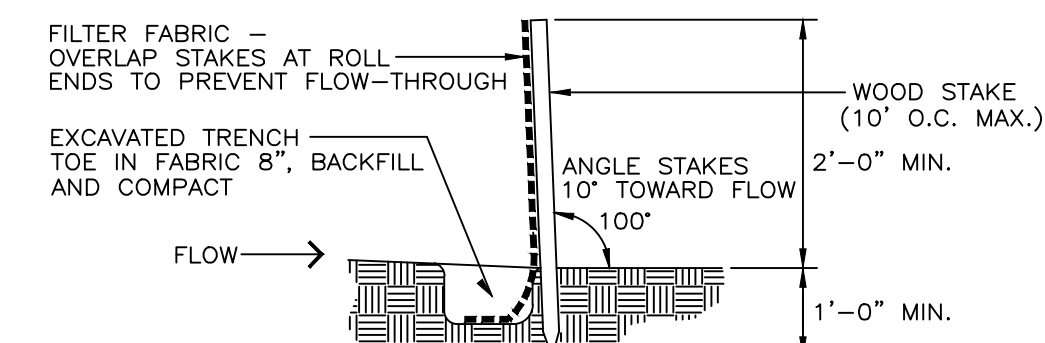
**PRECAST CONCRETE STORMWATER STORAGE GALLERIES**  
NOT TO SCALE



**TYPICAL PAVEMENT SECTION**  
NOT TO SCALE

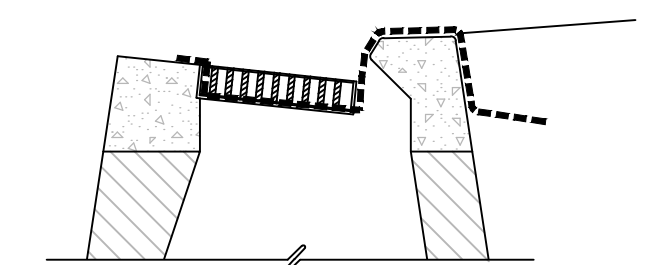


**PROCESSED STONE SURFACING SECTION**  
NOT TO SCALE



**FILTER FABRIC FENCE**  
NOT TO SCALE

1. INSPECT BARRIER AFTER EACH STORM EVENT AND DAILY DURING PROLONGED RAINFALL.
2. REMOVE SEDIMENT WHEN IT REACHES APPROXIMATELY ONE-HALF THE BARRIER HEIGHT.



**SEDIMENT CONTROL AT CATCH BASIN**  
NOT TO SCALE

1. WRAP FILTER FABRIC AROUND GRATE AND PLACE IN FRAME.
2. EXTEND FABRIC BEHIND CATCH BASIN TOP AND BACKFILL.
3. INSPECT CATCH BASINS AFTER EACH STORM EVENT.
4. REMOVE ACCUMULATED SEDIMENT AS REQUIRED.

2:2019102019-106.dwg 4/30/2020 2:44:43 PM

<b>CRISCUOLO</b> ENGINEERING LLC  CONSULTING ENGINEERS  LAND SURVEYORS  420 East Main Street Building 1 - Suite 9 Branford, CT 06405 TEL: 203/481-0807 FAX: 203/488-5729	JOB TITLE: <b>PROPERTY LOCATED AT #15 MASSIMO DRIVE NORTH HAVEN, CONNECTICUT</b>	DRAWING NO.: <b>2</b>	
	PREPARED FOR: <b>FIRST WHITNEY, INC.</b>	DRAWING TITLE: <b>PROPOSED SITE DETAILS</b>	OF <b>2</b>
	REV. DATE: DESCRIPTION:	DATE: 4/30/20 SCALE: AS NOTED DRAWN: T.T.H. CHECKED: J.M.P. JOB: 2019.106	ASSESSOR'S MAP 35, LOT 5 CADD FILE: 2019-106P0B