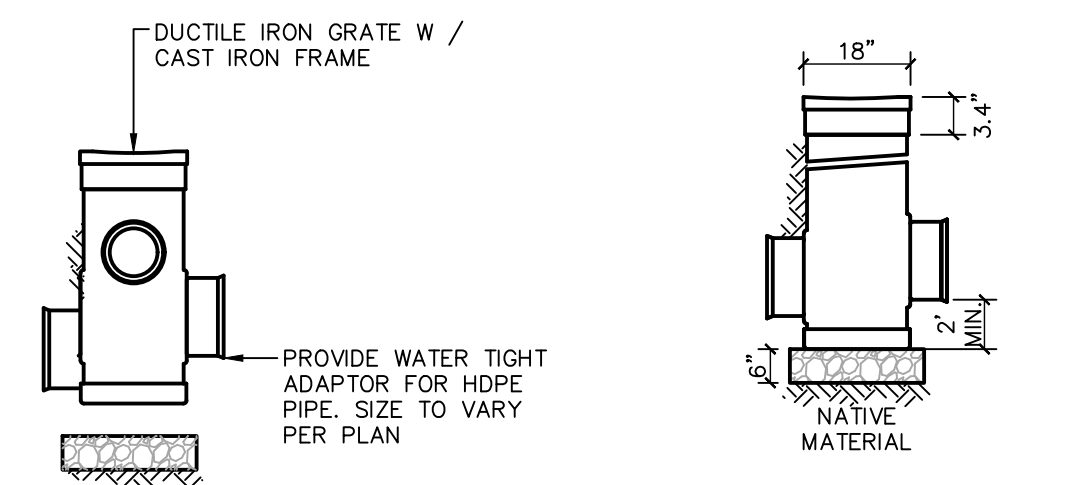
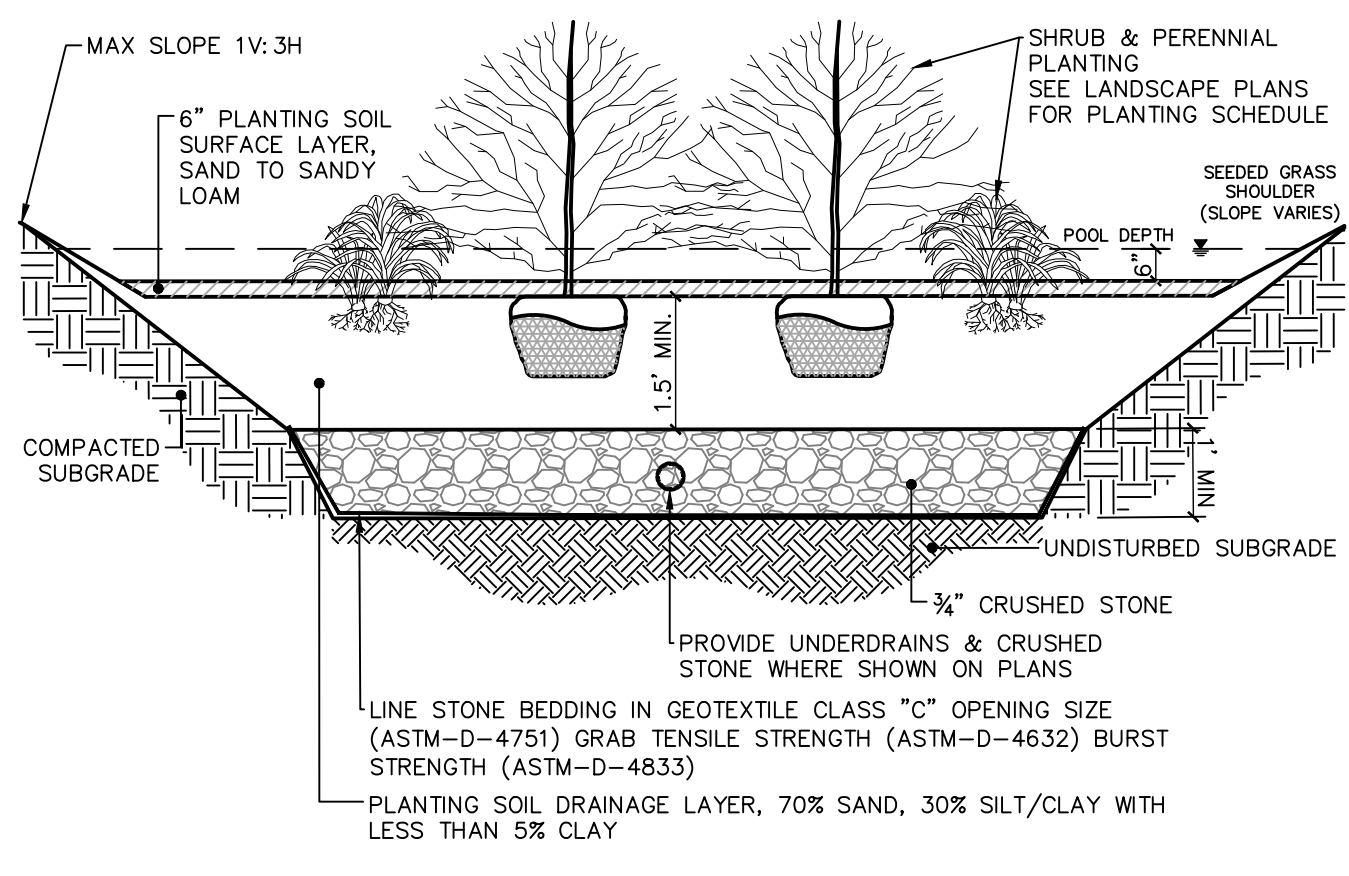
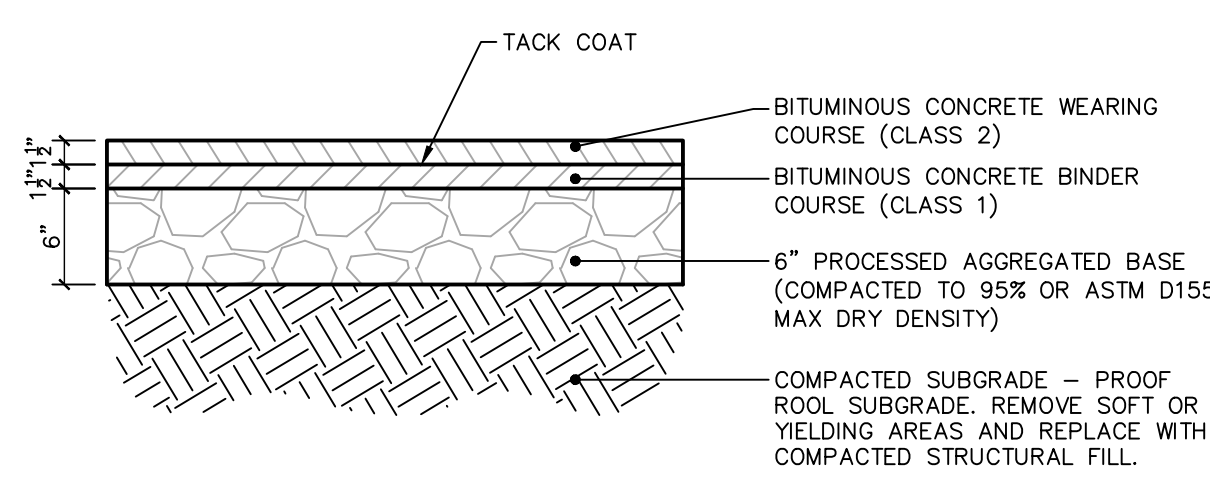


NOTE: FOR SLOPES > 5:1; PERPENDICULAR WINGS PLACED EVERY 100'
 FOR SLOPES > 3:1 TO 5:1; PERPENDICULAR WINGS PLACED EVERY 75'
 FOR SLOPES > 2:1 TO 3:1; PERPENDICULAR WINGS PLACED EVERY 50'



NOTES:
 1. HEIGHT AND INVERT ELEVATIONS TO VARY PER PLAN. OVERALL MAX HEIGHT NOT TO EXCEED 10 FEET.
 2. SET YARD DRAIN ON 6" THICK STONE BASE OF GRANULAR MATERIAL MEETING THE REQUIREMENTS OF CLASS II MATERIAL AS DEFINED BY ASTM D2321. STONE BASE TO EXTEND MIN 6 INCHES BEYOND YARD DRAIN IN ALL DIRECTIONS.
 3. BACKFILL USING TRENCH BACKFILL IN 6 INCH LIFTS. REMOVE ANY ROCKS OR BOULDERS EXCEEDING 6 INCHES.



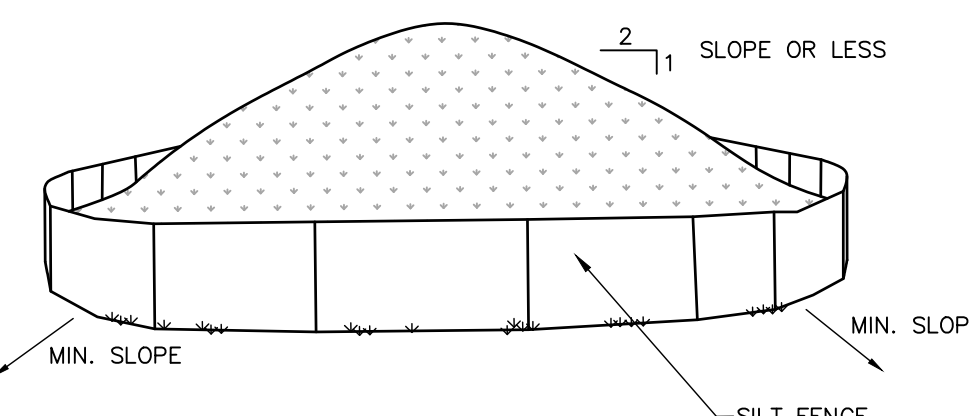
BITUMINOUS CONCRETE PAVEMENT
 SCALE: 1" = 1'-0"

CONSTRUCTION ENTRANCE DETAIL
 SCALE: 1/16" = 1'-0"

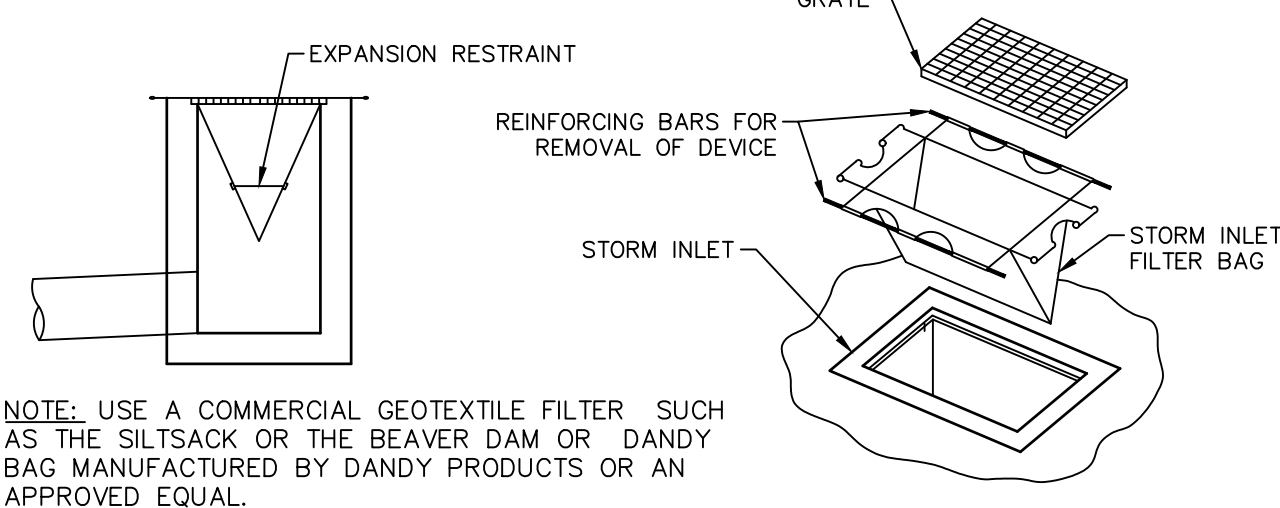
SILT FENCE DETAIL
 SCALE: N.T.S.

RAIN GARDEN DETAIL
 SCALE: 1/4" = 1'-0"

NYLOPLAST 18" YARD DRAIN
 SCALE: N.T.S.

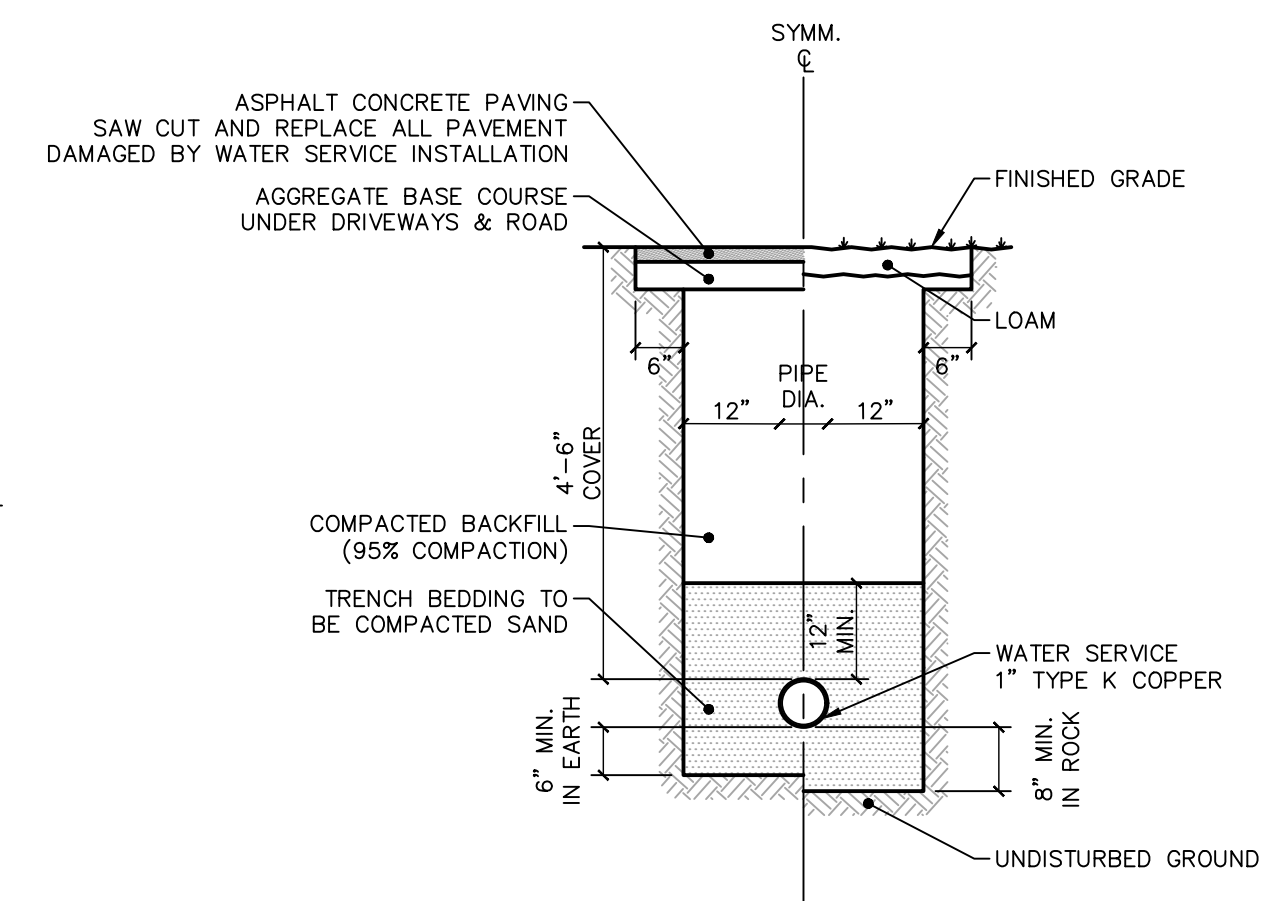


NOTES:
 1. AREA CHOSEN FOR STOCKPILING OPERATIONS SHALL BE DRY AND STABLE.
 2. MAXIMUM SLOPE OF STOCKPILE SHALL BE 1V:2H.
 3. UPON COMPLETION OF SOIL STOCKPILING, EACH PILE SHALL BE SURROUNDED WITH SILT FENCING, THEN STABILIZED WITH VEGETATION OR COVERED.
 4. SEE SPECIFICATIONS FOR INSTALLATION OF SILT FENCE.
 5. HAYBALES OR SILT SOCKS TO BE USED WHERE STOCKPILES ARE LOCATED ON PAVED AREAS.

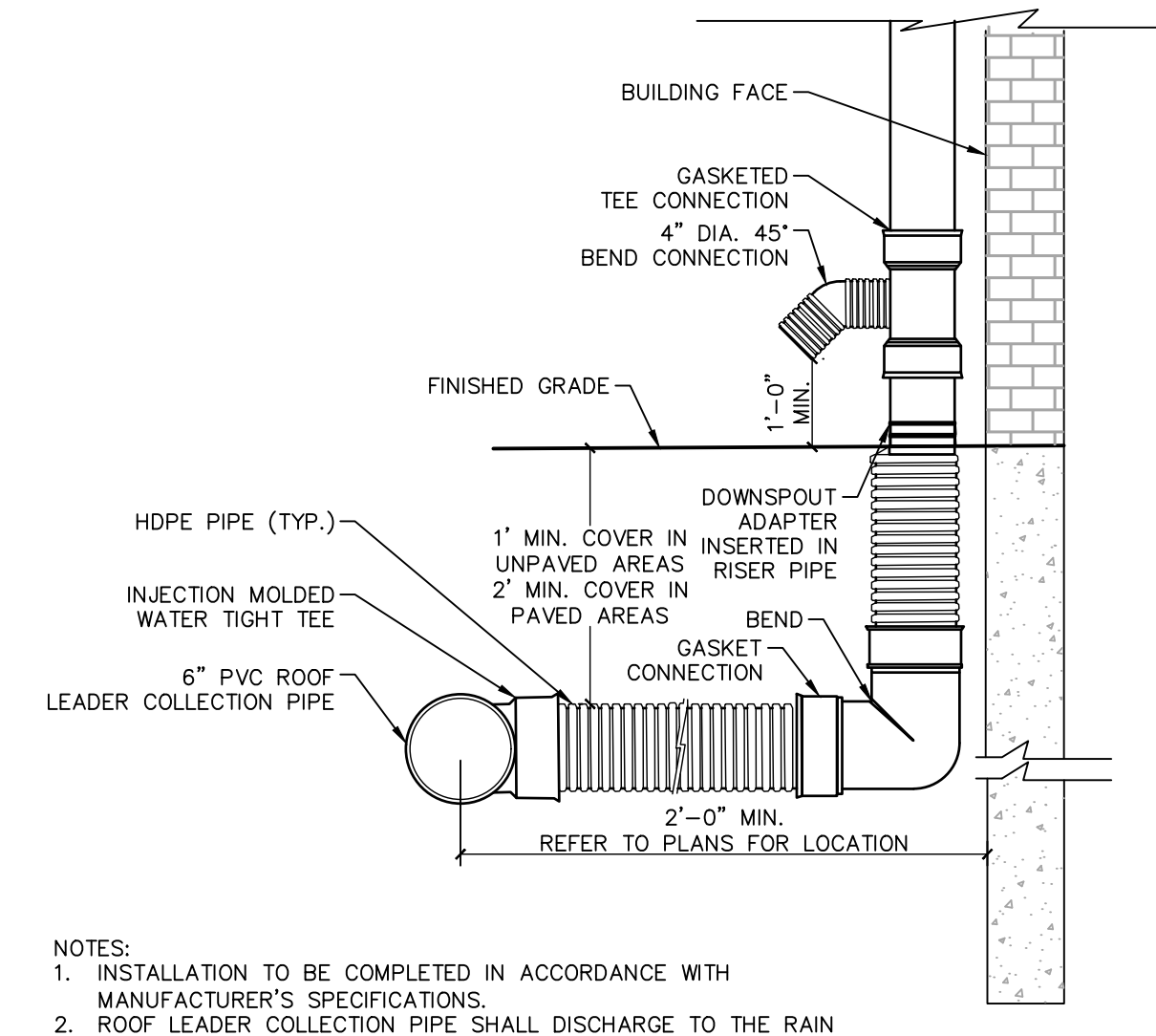


NOTE: USE A COMMERCIAL GEOTEXTILE FILTER SUCH AS THE SILTSACK OR THE BEAVER DAM OR DANDY BAG MANUFACTURED BY DANDY PRODUCTS OR AN APPROVED EQUAL.

SILT SACK DETAIL
 SCALE: N.T.S.

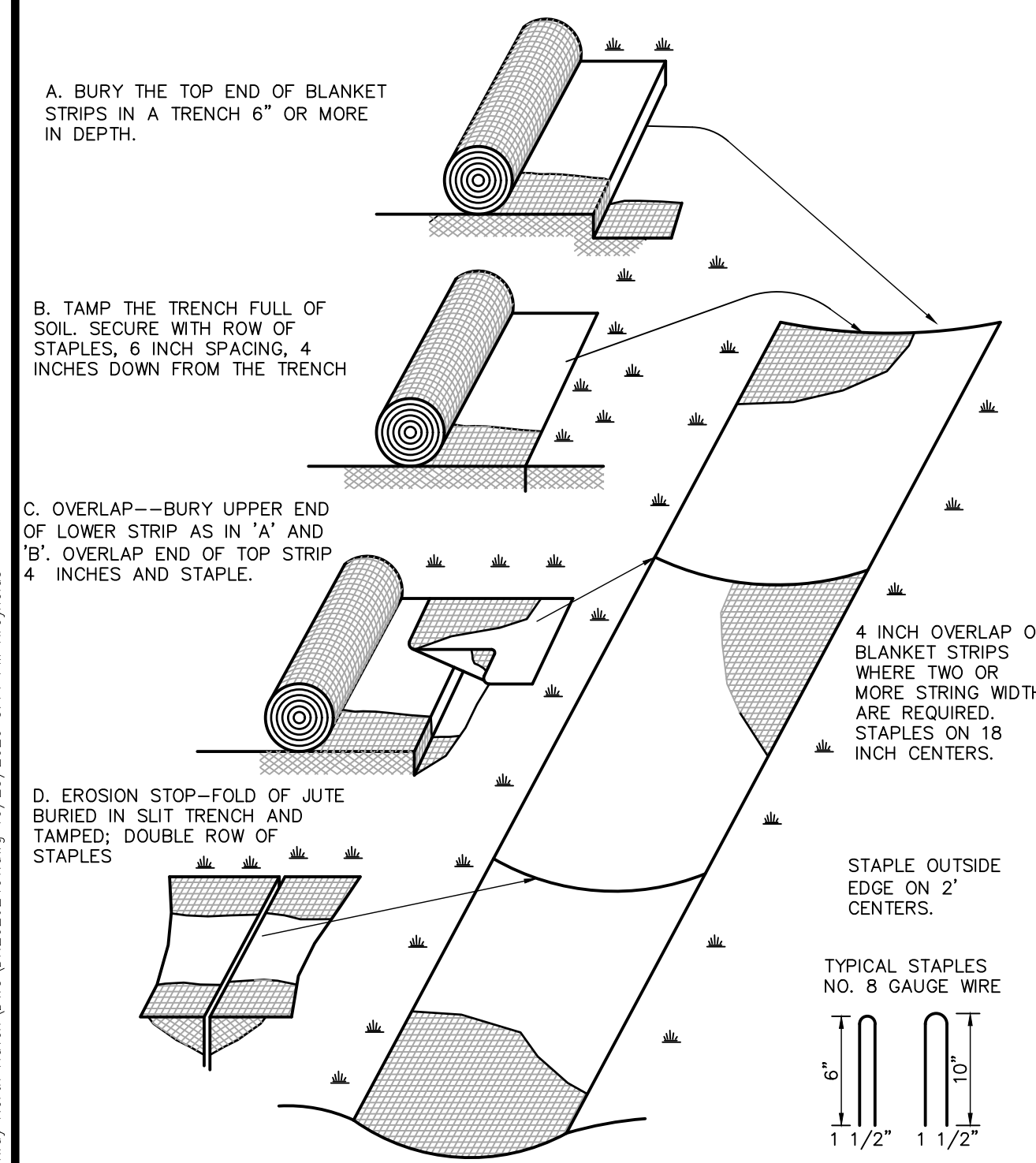


WATER SERVICE TRENCH DETAIL
 SCALE: 1/2" = 1'-0"



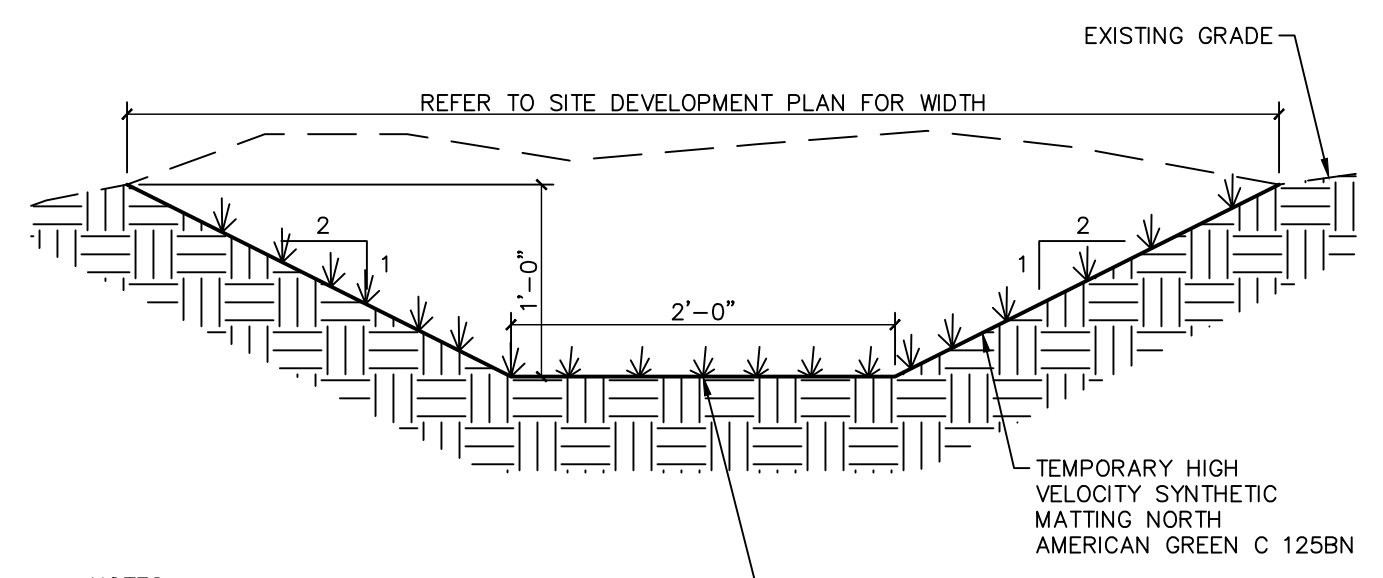
NOTES:
 1. INSTALLATION TO BE COMPLETED IN ACCORDANCE WITH MANUFACTURER'S SPECIFICATIONS.
 2. ROOF LEADER COLLECTION PIPE SHALL DISCHARGE TO THE RAIN GARDENS.

ROOF LEADER COLLECTION PIPE OVERFLOW DETAIL
 SCALE: 1" = 1'-0"



NOTES:
 1. BLANKET IS TO BE INSTALLED ON ANY FINISHED SLOPES THAT ARE 4:1 OR GREATER.
 2. 4:1 SLOPES OR STEEPER WHERE INDICATED ON THE CONTRACT DRAWINGS:
 EROSION CONTROL BLANKET SHALL BE NORTH AMERICAN GREEN SC 150 OR SHALL BE A GREEN, WOOD FIBER MAT CONSTRUCTED FROM 100% ASPEN CURLED FIBERS WITH A GREEN PHOTO-DEGRADABLE NETTING APPLIED TO ONE SIDE. EROSION CONTROL BLANKET TO BE AS MANUFACTURED BY AMERICAN EXCELSIOR COMPANY, ARLINGTON, TX, "QUICK GRASS" OR APPROVED EQUAL.

EROSION CONTROL BLANKET DETAIL
 SCALE: N.T.S.



NOTES:
 1. APPLY EROSION CONTROL BLANKET IN DIRECTION OF WATER FLOW AND IN ACCORDANCE WITH MANUFACTURER'S INSTALLATION RECOMMENDATIONS.
 2. EXACT CHANNEL DIMENSIONS, SLOPE, SIDE SLOPES, DEPTH TO BE INSTALLED AS SHOWN ON THE SD DRAWINGS.
 INVERT—IDENTIFIED AS THE FLOW LINE ON THE PLAN (SEE PLAN FOR VARIABLE SLOPES)

GRASS LINED SWALE DETAIL
 SCALE: 1" = 1'-0"

Z:\LANDRESOURCES\CONSULTANTS\2020_sbs\30-2624_McMahon Kings Highway North Haven\DWG\DN20262401.dwg 10/22/2020 3:14 PM Reynolds

| | | | |
|---|---|--|--|
| | | DETAILS RESUBDIVISION OF ANDERSON SUNNYSIDE FARM LAND OF GBRSTORZ, LLC 318 KINGS HIGHWAY, TOWN OF NORTH HAVEN NEW HAVEN COUNTY, CONNECTICUT | |
| Design/Calcs LRC Draw LRC Checked JW/REM Approved JW/REM | CAD File DN20262401.dwg Project No. 20-2624 Date 08/27/2020 Scale AS NOTED | Sheet No. DN-1 | LRC Engineering & Surveying, LLC LRC Environmental Services, Inc. |